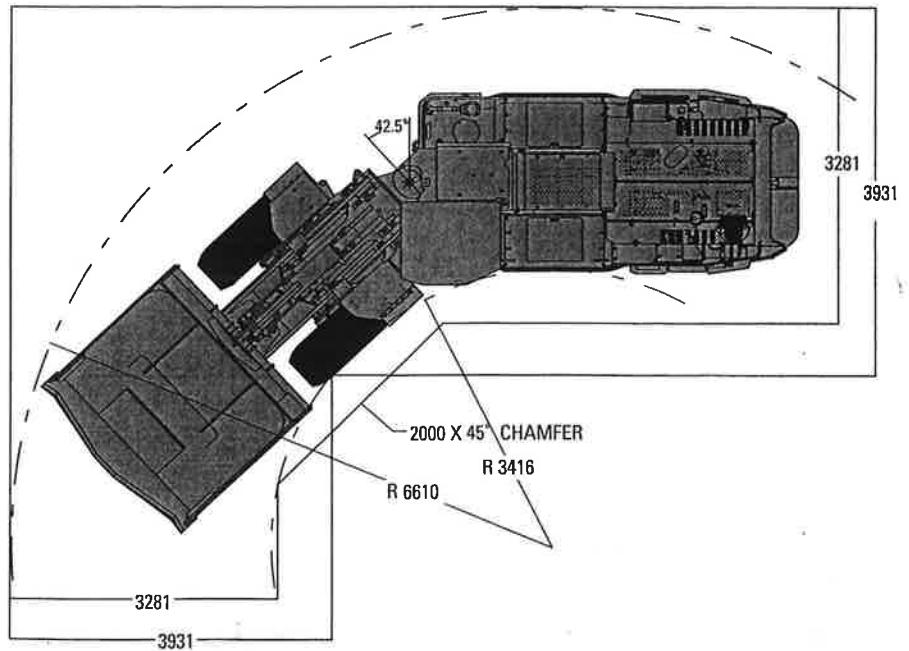
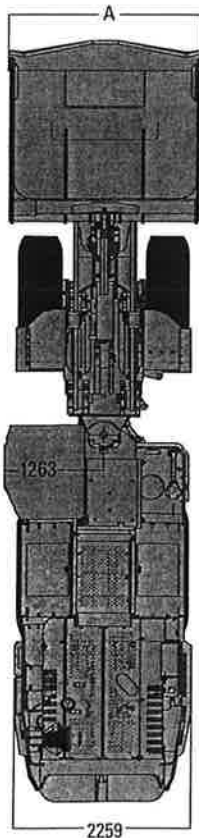
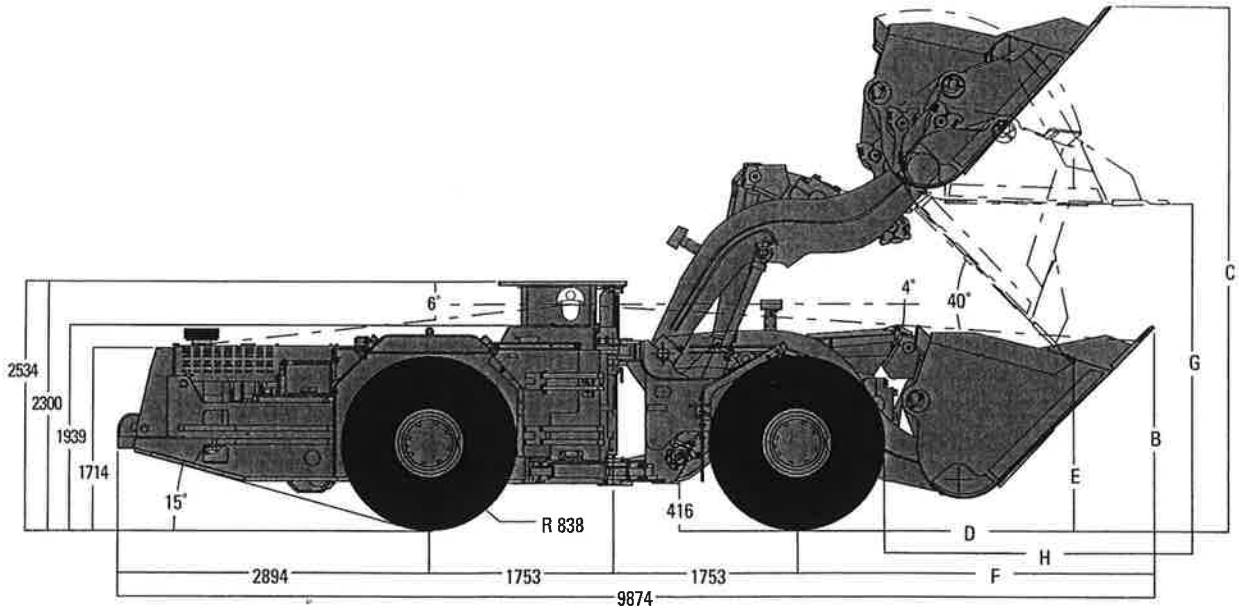


# SI 1010

**Atlas Copco Wagner Inc.**

## **10 TONNE CAPACITY SCOOPTRAM® LHD**

**technical specifications and performance data**



**NOTE:** Dimensions shown in millimeters. Turn dimensions shown are based on standard configuration. Overall dimensions will vary according to bucket width. Vertical dimensions are based on 27 mm tire deflection.

**Atlas Copco**

ST1010

## technical specifications

### CAPACITY — SAE

	kg	(lbs)
Tramming Capacity	10000	(22,000)
Static Tipping Capacity	20736	(45,714)
Breakout Force, Hydraulic	14958	(33,000)
Breakout Force, Mechanical	31750	(70,000)

### Boom Speeds: (Seconds)

Raising	7.9
Lowering	7.1

### Bucket Speeds: (Seconds)

Dump	2.7
Roll Back	3.9

### VEHICLE SPEEDS — LOADED

See Vehicle Grade Performance Chart

### ENGINE

#### Standard:

Detroit Diesel	Series 50
MSHA Power Rating @ 2,100 rpm	186 kW (250 hp)
Maximum Torque @ 1,350 rpm	1058 Nm (780 ft. lbs.)
MSHA Part 7 Ventilation	
Vent Rate	354 m <sup>3</sup> /min (12,500 cfm)
Particulate Index	127 m <sup>3</sup> /min (4,500 cfm)

#### Optional:

Deutz Diesel	BF6M1013FC
MSHA Rating @ 2,100 rpm	189 kW (253 hp)
Maximum Torque @ 1,400 rpm	942 Nm (695 ft. lbs)
MSHA Part 7 Ventilation	
Vent Rate	340 m <sup>3</sup> /min (12,000 cfm)
Particulate Index	538 m <sup>3</sup> /min (19,000 cfm)

### EXHAUST SYSTEM

Exhaust Conditioner Silencer & Purifier

### ELECTRICAL SYSTEM

System Voltage 24 Volt Starting, 24 Volt Accessories

### TRANSVERTER

Automatic Power Shift, with Integral Converter, Modulated 4 Speed Shifting, Modulated Forward/Reverse  
Funk Model DF250

### AXLES

Spiral Bevel Differential, Full Floating, Planetary  
Wheel End Drive  
Spicer 19D2748

### BRAKES

Service SAHR®  
Spring Applied Hydraulically Released; Fully Enclosed,  
Force Cooled, Multiple Wet Discs at Each Wheel End  
Parking and Emergency SAHR®

### TIRES

Tubeless, Nylon, Smooth Tread Design for Underground  
Mine Service  
Tire Size, Front & Rear 18.00 x 25, 24 Ply, L-5S

### STEERING

Articulated Hydraulic Power Steering, Pilot-Operated,  
Mono-Stick Control  
Turning Angle 85° (42.5° Each Way)  
System Pressure 22.4 MPa (3,250 psi)

### HYDRAULIC SYSTEM

Dump and Hoist Control Pilot Operated, Joystick  
Cylinders Double Acting, Chrome Plated Stems  
Cylinder Diameter  
  Steer Cylinders (2) 102mm (4.0 inch)  
  Hoist Cylinders (2) 152mm (6.0 inch)  
  Stabilizer Cylinder (1) 203mm (8.0 inch)  
Pumps Heavy Duty Gear Type  
Filtration Return Line: 4 Micron  
Dump/Hoist System Pressure 20.7 MPa (3,000 psi)

### TANK CAPACITIES

	liters	(gallons)
Fuel	284	(75)
Hydraulic	189	(50)

### OSCILLATION

Rear Axle, Trunnion Mounted, Self-lubricating Bushings  
Degree of Oscillation Total 20° (10° each side)

### OPERATOR'S ARRANGEMENT

Side Seated Operator for Bi-Directional Operation  
& Maximum Visibility, MSHA-ISO ROPS/FOPS Certified  
Canopy or Cab with Back Protection

### OPERATING WEIGHT (Approximate)

	kg	(lbs)
Empty	26300	(58,000)

# ST1010

## vehicle grade performance

---

### DETROIT SERIES 50 186kW (250 hp) — LOADED

Percent Grade	Grade	1st Gear		2nd Gear		3rd Gear		4th Gear	
		kph	mph	kph	mph	kph	mph	kph	mph
0.0%		5.1	3.1	8.9	5.6	15.3	9.5	24.5	15.2
2.0%		4.9	3.1	8.5	5.3	13.7	8.5	18.6	11.6
4.0%		4.8	3.0	8.0	5.0	12.1	7.5		
6.0%		4.6	2.9	7.5	4.7	10.3	6.4		
8.0%		4.5	2.8	7.1	4.4	8.3	5.2		
10.0%		4.3	2.7	6.5	4.1				
12.5%	1 : 8	4.2	2.6	5.9	3.7				
14.3%	1 : 7	4.0	2.5	5.4	3.4				
16.0%		3.9	2.4	4.9	3.0				
18.0%		3.8	2.4	4.3	2.7				
20.0%	1 : 5	3.6	2.3	3.6	2.3				
25.0%	1 : 4	3.2	2.0						

### DETROIT SERIES 50 186kW (250 hp) — EMPTY

Percent Grade	Grade	1st Gear		2nd Gear		3rd Gear		4th Gear	
		kph	mph	kph	mph	kph	mph	kph	mph
0.0%		5.1	3.2	9.2	5.7	16	9.9	26.6	16.5
2.0%		5.0	3.1	8.8	5.5	14.8	9.2	22.8	14.2
4.0%		4.9	3.0	8.5	5.3	13.7	8.5	18.5	11.5
6.0%		4.8	3.0	8.1	5.0	12.5	7.8	13.5	8.4
8.0%		4.7	2.9	7.8	4.8	11.2	7.0		
10.0%		4.6	2.9	7.5	4.6	10.0	6.2		
12.5%	1 : 8	4.5	2.8	7.0	4.4	8.1	5.0		
14.3%	1 : 7	4.4	2.7	6.7	4.2	6.8	4.2		
16.0%		4.3	2.7	6.3	3.9	5.4	3.4		
18.0%		4.2	2.6	6.0	3.7				
20.0%	1 : 5	4.1	2.5	5.6	3.5				
25.0%	1 : 4	3.8	2.4	4.5	2.8				

# ST1010

## dimensions

		STD								
<b>MATERIAL DENSITY</b>		1.6	1.8	2.0	2.2	2.4	2.6	2.8	3.0	3.2
tonnes/m <sup>3</sup>		2698	3035	3372	3709	4046	4384	4721	5058	5395
lbs/yd <sup>3</sup>										
<b>STANDARD BUCKETS</b>										
Bucket Volume (Nominal Heaped)	m <sup>3</sup>	6.3	5.6	5.0	4.5	4.2	3.8	3.6	3.3	3.1
	yd <sup>3</sup>	8.2	7.3	6.5	5.9	5.4	5.0	4.7	4.4	4.1
Bucket Width (A)	mm	2760	2489	2489	2489	2489	2489	2337	2337	2337
	inches	109	98	98	98	98	98	92	92	92
<b>TRAM POSITION</b>										
Axle Centerline to Bucket Tip (F)	mm	3490	3490	3300	3200	3140	3210	3130	3130	3080
Ground to Bucket Tip (B)	mm	2080	2080	1940	1840	1770	1790	1690	1690	1640
<b>RAISED POSITION</b>										
Back Height (C)	mm	5190	5190	5060	4980	4980	4960	4960	4960	4970
40° Dump Angle										
Reach (D)	mm	2060	2060	1920	1810	1750	1750	1660	1660	1610
Bucket Tip Height (E)	mm	1550	1550	1670	1760	1820	1820	1890	1890	1940
<b>E-O-D® (EJECT-O-DUMP) BUCKETS</b>										
Bucket Volume (Nominal Heaped)	m <sup>3</sup>		5.0	4.5	4.0	3.8				
	yd <sup>3</sup>		6.5	5.9	5.3	5.0				
Bucket Width	mm		2760	2488	2488	2336				
	inches		109	98	98	92				
<b>TRAM POSITION</b>										
Axle Centerline Bucket Tip (F)	mm		3378	3378	3378	3378				
Ground to Bucket Tip (B)	mm		2034	2034	2034	2034				
<b>RAISED POSITION</b>										
Back Height (C)	mm		5144	5144	5144	5144				
Level Bucket - Eject Position										
Reach (D)	mm		2822	2822	2822	2822				
Bucket Tip Height (G)	mm		3072	3072	3072	3072				